

# Features

## Highlights

- PAM Pulse Amplitude Modulation – a technology with regulated intermediate DC bus
- SHS Modulation – Selective Harmonic Suppression modulation
- Windows based programming software
- Can be operated via Terminal Block, dedicated KeyPad, or PROFIBUS
- Large number of free programmable parameters
- 32 complete sets of motor parameters can be stored and selected
- CE

# Modular concept

## Power supply module

- Input voltage 200 – 480 VAC, +10 % / -15 %, 50/60 Hz, auto-ranging
- DC power output max. 36 A/45A
- Power IN connector to the bottom
- Integrated dynamic braking resistor
- Possibility to add an external braking resistor module
- 24 VDC, auxiliary power input supplied by customer, 2 to 4 A depending of the number of axis
- USB port, internally interconnected to the drive(s)
- RS485 port dedicated to remote KeyPad

## External braking resistor module

- Same dimensions as the power supply module
- Internal connection to the power supply module
- Used when full braking power is required

## Power Drive module

- Internal connections to the power module
- Motor power OUT connect to the bottom
- Plugable screw terminals see “Control terminals description”
- All “Control terminals” are opto-insulated
- PROFIBUS port (Option)
- Sensor feedback connector (not compulsory to drive a motor)
- 7 segments status display
- 5 power ratings: 5, 8, 12, 20 and 30 A, 2 physical sizes
- Max output frequency 5000 Hz

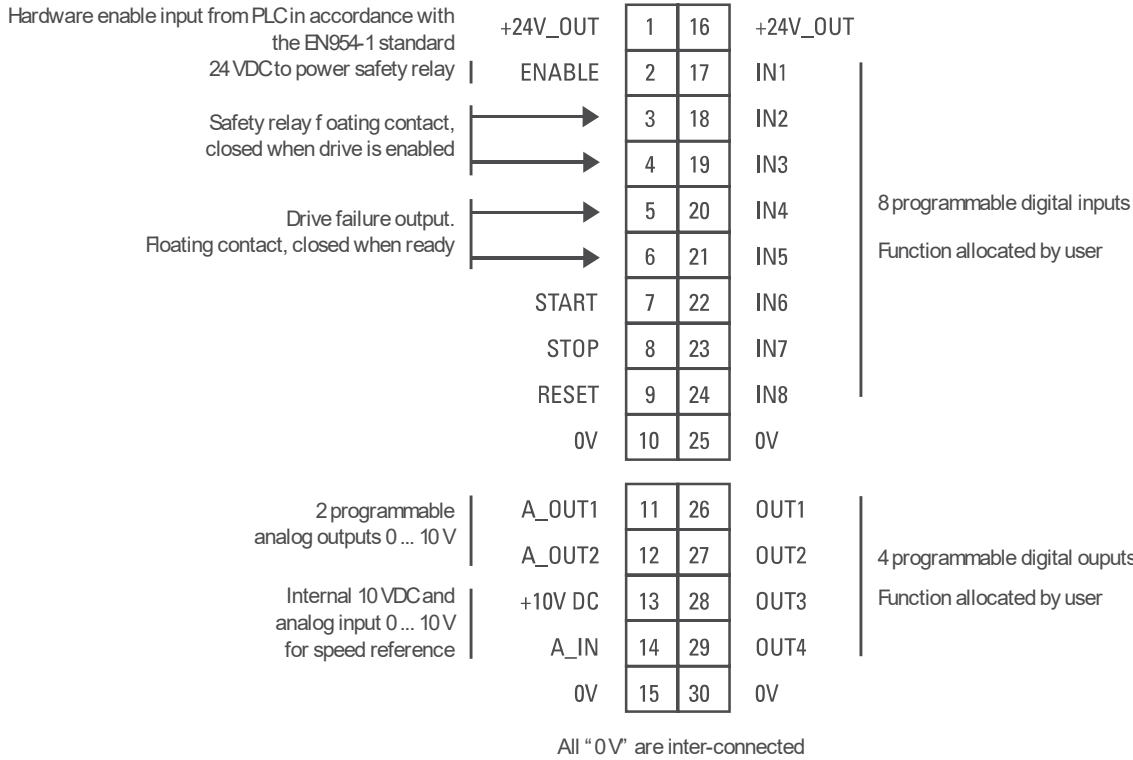


## Power ratings

Drive	Nominal current	Peak current	Max. Output Power @230 V	Max. Output Power @400 VAC
ACC5005D	5 A	7.5 A	3 kVA	5 kVA
ACC5008D	8 A	12 A	5 kVA	8 kVA
ACC5012D	12 A	18 A	7 kVA	12 kVA
ACC5020D	20 A	30 A	12 kVA	20 kVA
ACC5030D	30 A	45 A	19 kVA	30 kVA

# Control terminals description

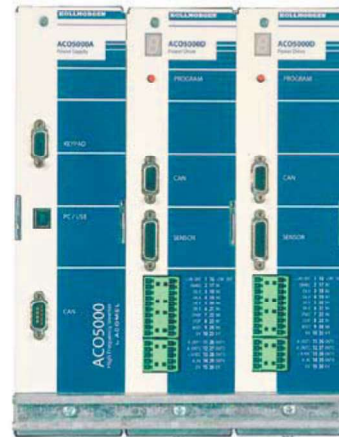
The +24 VDC OUT are common to the 24 VDC supplied and short-circuit protected



# Multi-axis configurations

Any combination up to 4 axis so far the total current needed at a time does not exceed 36 A current. That means the system can have maximum 6 modules with a width of 426 mm (i.e. 6\* 71 mm plus 3 mm backplate), as follow:

- 1 power module
- 1 External braking resistor module
- 4 small drives, or 2 small and one large, or 2 large ones



# Dimensions

Type	Description	Width	Height	Depth
ACC5005A	Power supply module	71	329	298.5
ACC5005D	Drive module 5A	71	329	298.5
ACC5008D	Drive module 8A	71	329	298.5
ACC5012D	Drive module 12A	142	329	298.5
ACC5020D	Drive module 20A	142	329	298.5
ACC5030D	Drive module 30A	223	329	298.5
ACC5000R(R1)	External braking resistor module	71	329	298.5